

PARAMOUNT JUNIOR BIN



Metal Art Limited
Street & Park Furniture

DESCRIPTION

A robust, heavy duty open-top litter bin suitable for use in public parks and reserves. Several material and set-up options available.

BODY

90 mm galvanised pipe & 40 x 5 mm galv. mild steel support frame

SLAT OPTIONS

- 60 x 20 mm saligna slats in natural timber or mahogany stain finish
- Recycled plastic slats in a range of colours
- Recycled plastic sheet wrapper

BODY DIMENSIONS

Height: 690 mm (840 mm above ground)
Diameter: 466 mm

MOUNTING

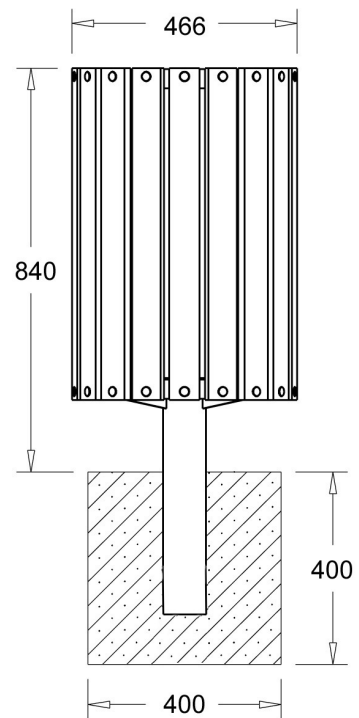
- In-ground fixed
- Surface fixed

LINER MATERIAL

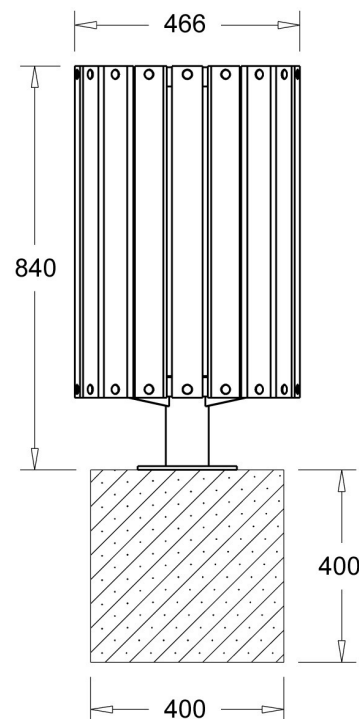
Galvanised mild steel

LINER CAPACITY

60 litres



In-ground fixed



Surface fixed



Metal Art Ltd

51 Port Road, Seaview
Wellington, New Zealand
Ph +64 4 939-6666
Fax +64 4 939-6696
info@metalart.co.nz
www.metalart.co.nz